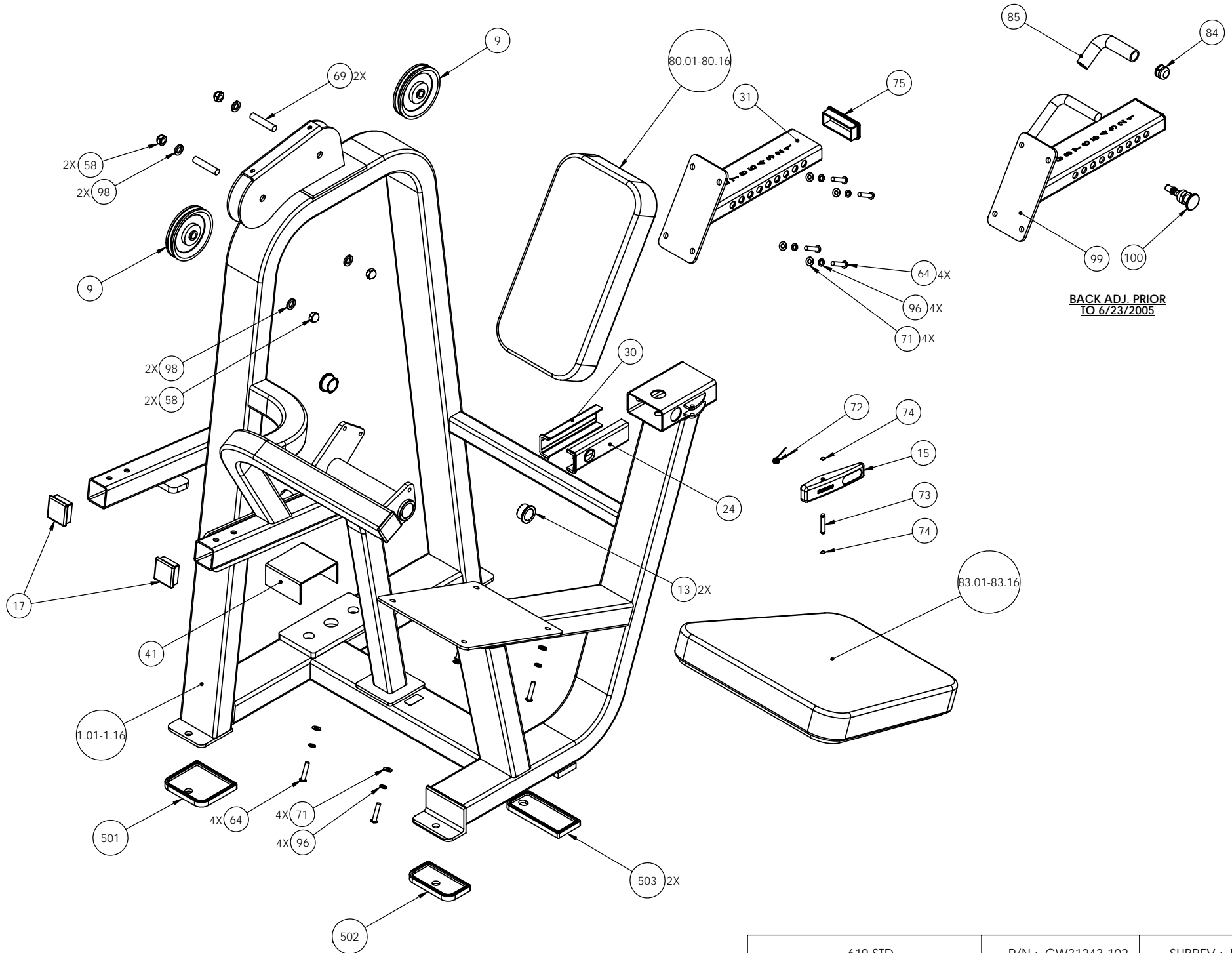
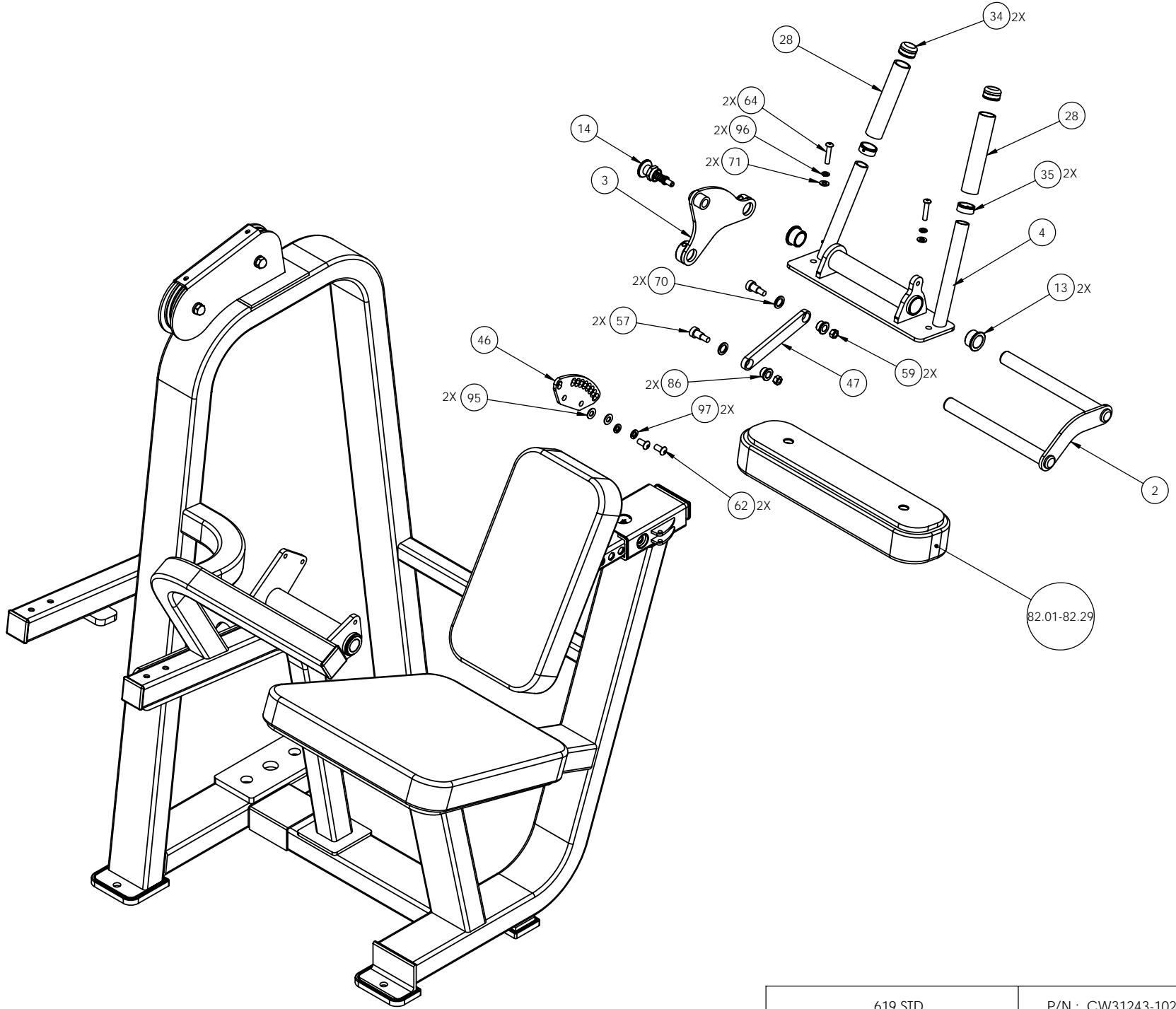


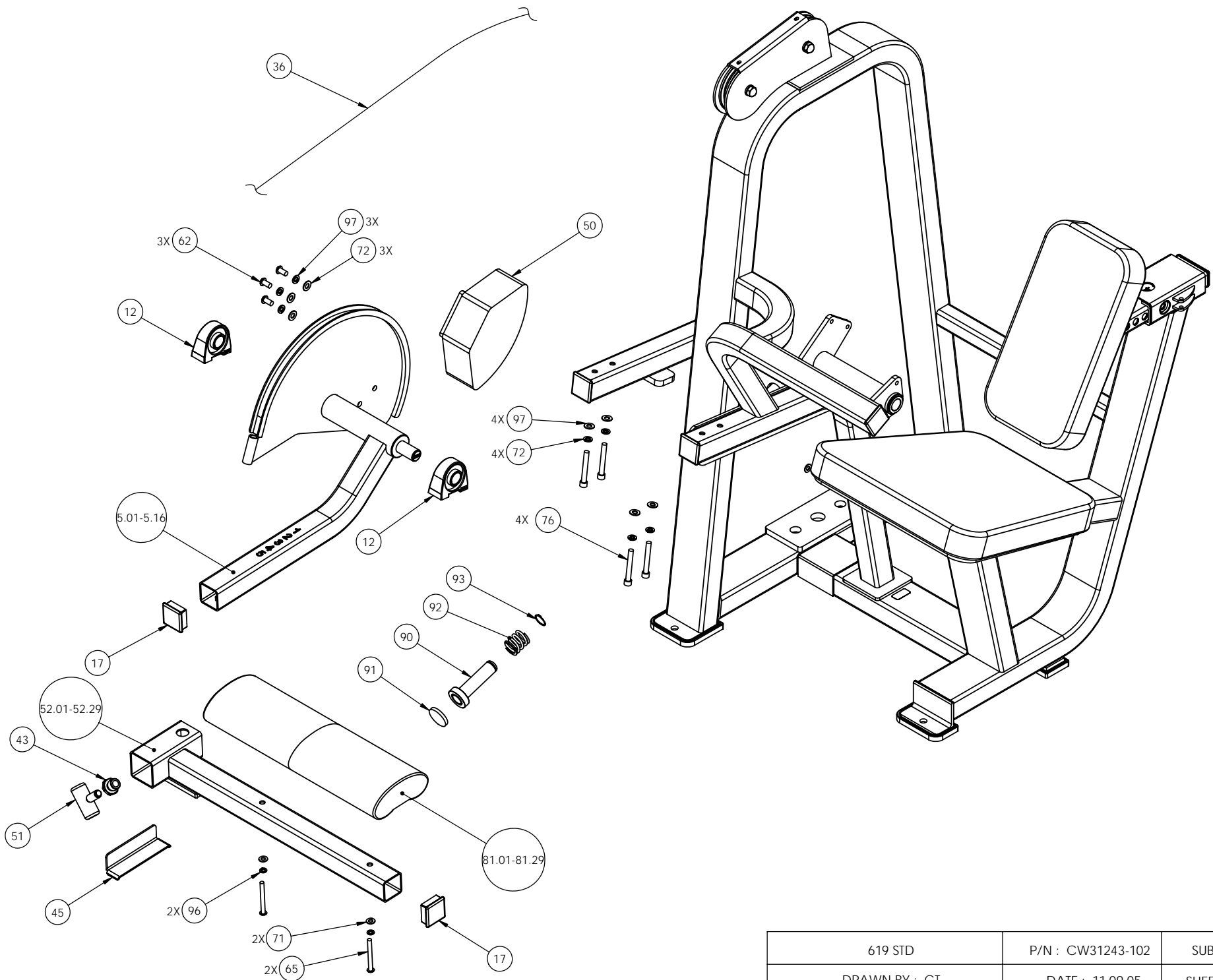
| | | |
|---------------|-------------------|--------------|
| 619 STD | P/N : CW31243-102 | SUBREV : D |
| DRAWN BY : CT | DATE : 11.09.05 | SHEET 1 OF 5 |



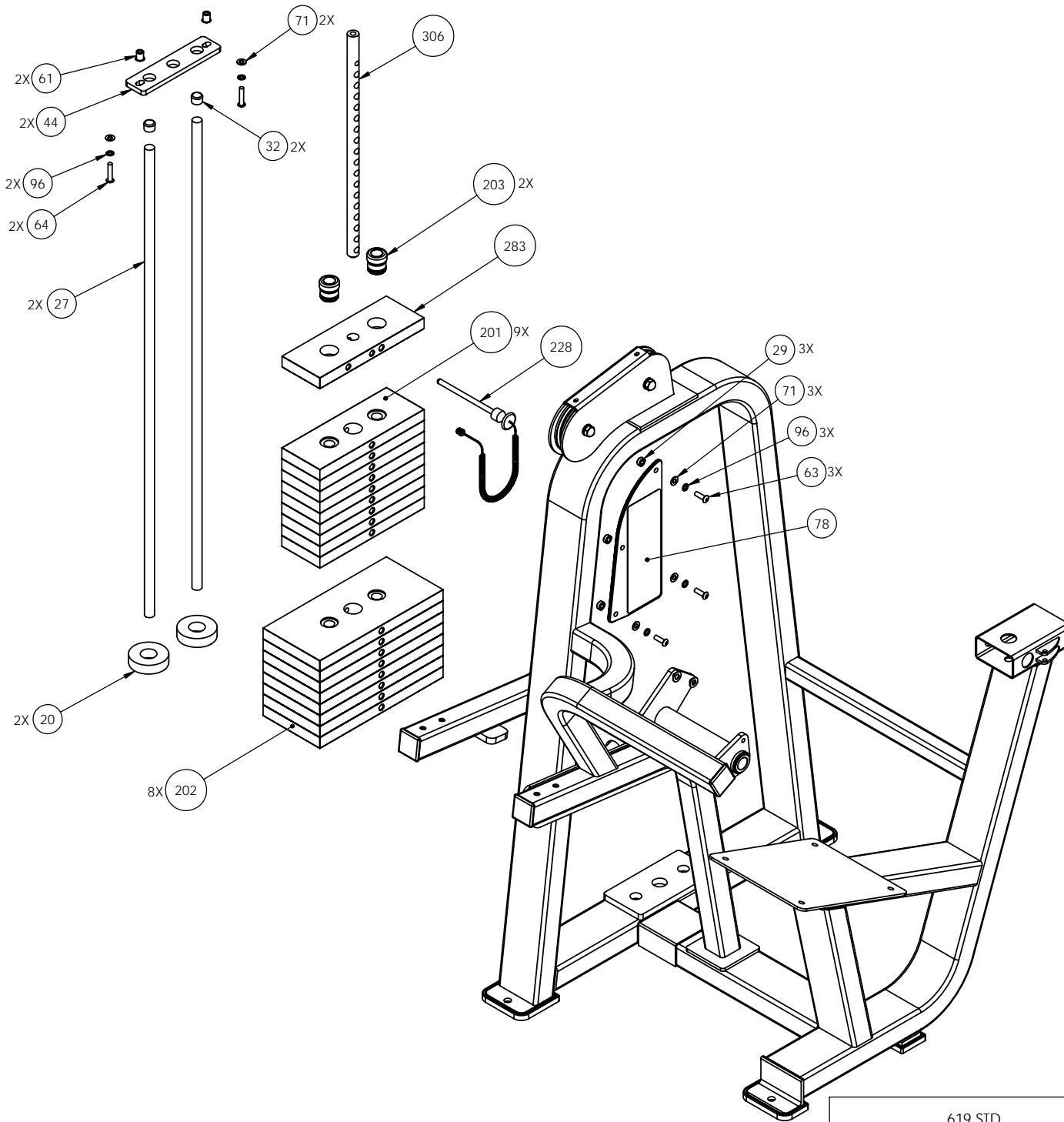
| | | |
|---------------|-------------------|--------------|
| 619 STD | P/N : CW31243-102 | SUBREV : D |
| DRAWN BY : CT | DATE : 11.09.05 | SHEET 2 OF 5 |



| | | |
|---------------|-------------------|--------------|
| 619 STD | P/N : CW31243-102 | SUBREV : D |
| DRAWN BY : CT | DATE : 11.09.05 | SHEET 3 OF 5 |



| | | |
|---------------|-------------------|--------------|
| 619 STD | P/N : CW31243-102 | SUBREV : D |
| DRAWN BY : CT | DATE : 11.09.05 | SHEET 4 OF 5 |



| | | |
|---------------|-------------------|--------------|
| 619 STD | P/N : CW31243-102 | SUBREV : D |
| DRAWN BY : CT | DATE : 11.09.05 | SHEET 5 OF 5 |

619 Seated Leg Curl Standard

| Part Number | Description | Bubble Number |
|--------------------|-------------------------------------|----------------------|
| CW619SA1-211 | ASSY,FRAME,MAIN,619,SKY WHITE | 1.01 |
| CW619SA1-221 | ASSY,FRAME,MAIN,619,BLACK | 1.02 |
| CW619SA1-231 | ASSY,FRAME,MAIN,619,RED | 1.03 |
| CW619SA1-241 | ASSY,FRAME,MAIN,619,PLAT SPRKLE | 1.04 |
| CW619SA1-251 | ASSY,FRAME,MAIN,619,SILVER | 1.05 |
| CW619SA1-261 | ASSY,FRAME,MAIN,619,BLUE | 1.06 |
| CW619SA1-271 | ASSY,FRAME,MAIN,619,CHARCOAL | 1.07 |
| CW619SA1-281 | ASSY,FRAME,MAIN,619,CATH GRAY | 1.08 |
| CW619SA1-291 | ASSY,FRAME,MAIN,619,SILVER VIEN | 1.09 |
| CW619SA1-312 | ASSY,FRAME,MAIN,619,STONE HG | 1.11 |
| CW619SA1-321 | ASSY,FRAME,MAIN,619,TITANIUM HG | 1.12 |
| CW619SA1-331 | ASSY,FRAME,MAIN,619,WHITE GLOSS | 1.13 |
| CW619SA1-341 | ASSY,FRAME,MAIN,619,BLACK ONYX | 1.14 |
| CW619SA1-351 | ASSY,FRAME,MAIN,619,LT. BRONZE | 1.15 |
| CW619SA1-361 | ASSY,FRAME,MAIN,619,SAPPHIRE BL | 1.16 |
| CW619SA2-721 | ASSY,LINK PIVOT,619,WRKL BLK | 2 |
| CW619SA3-721 | ASSY, PIVOT ADJ, 619, WRKL BLK | 3 |
| CW619SA5-721 | ASSY, THIGH PAD, 619, WRINKLE BLACK | 4 |
| CW619SA6-211 | ASSY, LEG LEVER, 619, SKY WHITE | 5.01 |
| CW619SA6-221 | ASSY, LEG LEVER, 619, BLACK | 5.02 |
| CW619SA6-231 | ASSY, LEG LEVER, 619, RED | 5.03 |
| CW619SA6-241 | ASSY, LEG LEVER, 619, PLATINUM SPRK | 5.04 |
| CW619SA6-251 | ASSY, LEG LEVER, 619, SILVER | 5.05 |
| CW619SA6-261 | ASSY, LEG LEVER, 619, BLUE | 5.06 |
| CW619SA6-271 | ASSY, LEG LEVER, 619, CHARCOAL | 5.07 |
| CW619SA6-281 | ASSY, LEG LEVER, 619, CATHEDRAL GRA | 5.08 |
| CW619SA6-291 | ASSY, LEG LEVER, 619, SILVER VIEN | 5.09 |
| CW619SA6-311 | ASSY, LEG LEVER, 619, STONE HG | 5.11 |
| CW619SA6-321 | ASSY, LEG LEVER, 619, TITANIUM HG | 5.12 |
| CW619SA6-331 | ASSY, LEG LEVER, 619, WHITE GLOSS | 5.13 |
| CW619SA6-341 | ASSY, LEG LEVER, 619, BLACK ONYX | 5.14 |
| CW619SA6-351 | ASSY, LEG LEVER, 619, LIGHT BRONZE | 5.15 |
| CW619SA6-361 | ASSY, LEG LEVER, 619, SAPPHIRE BLUE | 5.16 |
| CWAC1009-101 | PULLEY, 4 1/2 DIA. X 1/2 ID | 9 |
| CW11311-103 | ENDCAP, REC TUBE, 2X2, BLK PLASTIC | 11 |
| CW12406-101 | PILLOW BLOCK, BEARING, 2 BOLT | 12 |
| CW10043-134 | BUSHING, BRONZE, 1" ID X 1 1/4" OD | 13 |
| CW30166-751 | ASSY, POP PIN, 0.365 DIA HANDLE, BL | 14 |
| CW32460-321 | ASSY, RATCHETING LEVER, TITANIUM | 15 |
| CW11311-103 | ENDCAP, REC TUBE, 2X2, BLK PLASTIC | 17 |
| CW11311-102 | ENDCAP, REC TUBE, 2X4, BLK PLASTIC | 18 |
| CW11311-103 | ENDCAP, REC TUBE, 2X2, BLK PLASTIC | 19 |
| CW12402-101 | BUMPER, WEIGHT STACK, BLK RUBBER | 20 |
| CWAC1236-102 | GUIDE INSERT, PLASTIC WITH HOLE, BL | 24 |
| CWAC1232-101 | LABEL, ROUND, "PIVOT" | 25 |
| CWGR2606-000 | GRIP,RUBBER, 1" DIA, 6" | 28 |
| CWAC1228-901 | SPACER, ALU,.328 ID X .625 OD X .25 | 29 |
| CWAC1236-101 | GUIDE INSERT, PLASTIC WITHOUT HOLE, | 30 |
| CW32218-712 | ASSEMBLY, BACKPAD ADJUSTMENT, 9 HOL | 31 |

| | | |
|----------------|-------------------------------------|-------|
| CWAC218-901 | HANDLE END CAP W/SET SCREWS, DIA 1" | 34 |
| CWPF1212-711 | GUIDE ROD, 3/4 X 42 5/8 (#4), CHM | 34 |
| CWAC219-901 | HNDL RETAINER RNG, W/SS,1.020" I.D. | 35 |
| CWCLGH069-000 | ASSY, CABLE, 605, 619 | 36 |
| CWGR2501-625 | GRIP,RUBBER, 3/4" DIA, 1 5/8" | 37 |
| CWPF1980-731 | T-HANDLE INSERT, BLK ZN | 39 |
| CWCP8104-000 | CP, ABS CHANNEL, 1/8 X 2 X 4 X 4 | 41 |
| CWPF1016-731 | BAR,,FLAT CR/HR, 3/8 X 2 X 8 1/4, 3 | 44 |
| CWPF1553-901 | ANGLE,STAINLESS STEEL, 1/8 X 1 1/2 | 45 |
| CWPF1555-721 | PLATE,STEEL,1/4" THICK, CR, 9 SLOTS | 46 |
| CW31245-721 | ASSY,BAR, STEEL, FLAT, 3/8 X 1 X (7 | 47 |
| CW30799-731 | ASSY, SPRING STOP, BLK ZN | 49 |
| CWSA1502-721 | WELDMENT, COUNTER WEIGHT, 3" THK, W | 50 |
| CWSA1610-731 | WELDMENT, T-HANDLE ADJUSTER, BLACK | 51 |
| CWSA1611-211 | ASSY,LEG ADJUSTMENT,SKY WHITE | 52.01 |
| CWSA1611-221 | ASSY,LEG ADJUSTMENT,BLACK | 52.02 |
| CWSA1611-231 | ASSY,LEG ADJUSTMENT,RED | 52.03 |
| CWSA1611-241 | ASSY,LEG ADJUSTMENT,PLAT SPKLE | 52.04 |
| CWSA1611-251 | ASSY,LEG ADJUSTMENT,SILVER | 52.05 |
| CWSA1611-261 | ASSY,LEG ADJUSTMENT,BLUE | 52.06 |
| CWSA1611-271 | ASSY,LEG ADJUSTMENT,CHARCOAL | 52.07 |
| CWSA1611-281 | ASSY,LEG ADJUSTMENT,CATH GRY | 52.08 |
| CWSA1611-291 | ASSY,LEG ADJUSTMENT,SILVER VIEN | 52.09 |
| CWSA1611-311 | ASSY,LEG ADJUSTMENT,STONE HG | 52.11 |
| CWSA1611-321 | ASSY,LEG ADJUSTMENT,TITANIUM HG | 52.12 |
| CWSA1611-331 | ASSY,LEG ADJUSTMENT,WHITE GLOSS | 52.13 |
| CWSA1611-341 | ASSY,LEG ADJUSTMENT,BLACK ONYX | 52.14 |
| CWSA1611-351 | ASSY,LEG ADJUSTMENT,LIGHT BRONZE | 52.15 |
| CWSA1611-361 | ASSY,LEG ADJUSTMENT,SAPPHIRE BLUE | 52.16 |
| CW30112-260 | WEIGHT STACK,260 LBS,MTP-S,9 X 10 L | 53 |
| CWTAYN038-075 | SCREW, BUTTON HEAD, BLK XYLAN, 3/8 | 54 |
| CWCAYN025-050 | SCREW, SOCKET HEAD, BLK XYLAN | 55 |
| CWWALYN038-009 | WASHER, SPLIT, 3/8 ID, BLK XYLAN | 56 |
| CWRANN038-063 | BOLT, SHOULDER, 3/8-16 X 1/2 X 5/8 | 57 |
| CWKADLN050-081 | NUT, ACORN, 1/2-13 | 58 |
| CWKMYN038-034 | NUT, HEX, UNC, 3/8-16, BLK XYLAN | 59 |
| CW12537-109 | NUT,INSERT,THIN-NUT,LARGE FLANGE | 61 |
| CWTAYN038-075 | SCREW, BUTTON HEAD, BLK XYLAN, 3/8 | 62 |
| CWTAYN031-100 | SCREW, BUTTON HEAD, BLK XYLAN, 5/1 | 63 |
| CWTAYN031-150 | SCREW, BUTTON HEAD, BLK XYLAN,5/16 | 64 |
| CWTAYN031-300 | SCREW, BUTTON HEAD, BLK XYLAN,5/16 | 65 |
| CWWBKN038-007 | WASHER, FLAT, TYPE A, SAE, 3/8 ID | 67 |
| CWEANN031-031 | SCREW, SET, SCKT, CUP POINT, 5/16-1 | 68 |
| CWBFNN050-250 | STUD, 1/2-13 X 2 1/2 | 69 |
| CWWACNN063-009 | WASHER, NYLON, 5/8 ID X 15/16 OD X | 70 |
| CWWBKN031-007 | WASHER, FLAT, TYPE A, SAE, 5/16 ID | 71 |
| CW12634-101 | SPRING, TORSION 90 DEG X 0.484 X 0. | 72 |
| CWWBKN038-007 | WASHER, FLAT, TYPE A, SAE, 3/8 ID | 72 |
| CW31770-742 | LATCH PIVOTING PIN, CLR ZN | 73 |
| CWWALYN031-008 | WASHER, SPLIT, 5/16 ID, BL | 73 |
| CWAMNN028-003 | RING, RETAINING, 2-TURN, SPIRAL, SS | 74 |

| | | |
|----------------|-------------------------------------|-------|
| CWWALYN038-009 | WASHER, SPLIT, 3/8 ID, BLK XYLAN | 74 |
| CW12633-101 | ENDCAP, REC TUBE, LDP, 1 1/2 X 3 1 | 75 |
| CWWALYN050-013 | WASHER, SPLIT, 1/2 ID, BLK XYLAN | 75 |
| CWCAYN038-275 | SCREW, SOCKET HEAD, BLK XYLAN, 3/ | 76 |
| CW30010-101 | LABEL,WARNING STRENGTH | 77 |
| CW30151-101 | ASSY, LABEL,INSTRUCTION,619 | 78 |
| CWPD1105B-101 | PAD,9X17,4HOLES,W/BP,BLACK | 80.01 |
| CWPD1105B-102 | PAD,9X17,4HOLES,W/BP,RYL BL | 80.02 |
| CWPD1105B-103 | PAD,9X17,4HOLES,W/BP,DVE GRY | 80.03 |
| CWPD1105B-104 | PAD,9X17,4HOLES,W/BP,CROCUS | 80.04 |
| CWPD1105B-105 | PAD,9X17,4HOLES,W/BP,GROTTO | 80.05 |
| CWPD1105B-106 | PAD,9X17,4HOLES,W/BP,GRAPHITE | 80.06 |
| CWPD1105B-107 | PAD,9X17,4HOLES,W/BP,RED | 80.07 |
| CWPD1105B-108 | PAD,9X17,4HOLES,W/BP,CHN GRN | 80.08 |
| CWPD1105B-109 | PAD,9X17,4HOLES,W/BP,TURQSE | 80.09 |
| CWPD1105B-110 | PAD,9X17,4HOLES,W/BP,RASP | 80.1 |
| CWPD1105B-111 | PAD,9X17,4HOLES,W/BP,PLUM | 80.11 |
| CWPD1105B-112 | PAD,9X17,4HOLES,W/BP,REGIMENT | 80.12 |
| CWPD1105B-113 | PAD,9X17,4HOLES,W/BP,SPC BLUE | 80.13 |
| CWPD1105B-115 | PAD,9X17,4HOLES,W/BP,BLK LTHR | 80.15 |
| CWPD1105B-116 | PAD,9X17,4HOLES,W/BP,NVBL LTH | 80.16 |
| CWPD1105B-117 | PAD,9X17,4HOLES,W/BP,PUTTY | 80.17 |
| CWPD1105B-118 | PAD,9X17,4HOLES,W/BP,IMPRL BLUE | 80.18 |
| CWPD1105B-119 | PAD,9X17,4HOLES,W/BP,YEW GREEN | 80.19 |
| CWPD1105B-120 | PAD,9X17,4HOLES,W/BP,DUSTY JADE | 80.2 |
| CWPD1105B-121 | PAD,9X17,4HOLES,W/BP,TERRA COTTA | 80.21 |
| CWPD1105B-122 | PAD,9X17,4HOLES,W/BP,PAPRIKA | 80.22 |
| CWPD1105B-123 | PAD,9X17,4HOLES,W/BP,ASH LTHR | 80.23 |
| CWPD1105B-124 | PAD,9X17,4HOLES,W/BP,CERULEAN LTHR | 80.24 |
| CWPD1105B-125 | PAD,9X17,4HOLES,W/BP,CHARCOAL LTHR | 80.25 |
| CWPD1105B-126 | PAD,9X17,4HOLES,W/BP,HUNTER LTHR | 80.26 |
| CWPD1105B-127 | PAD,9X17,4HOLES,W/BP,MOSS LTHR | 80.27 |
| CWPD1105B-128 | PAD,9X17,4HOLES,W/BP,SPICE LTHR | 80.28 |
| CWPD1105B-129 | PAD,9X17,4HOLES,W/BP,TOMATO LTHR | 80.29 |
| CWPD1141J-101 | PAD,4X19,2HOLES,W/BP,BLACK, W/SLIP | 81.01 |
| CWPD1141J-102 | PAD,4X19,2HOLES,W/BP,RYL BL, W/SLIP | 81.02 |
| CWPD1141J-103 | PAD,4X19,2HOLES,W/BP,DVE GRY, W/SLI | 81.03 |
| CWPD1141J-104 | PAD,4X19,2HOLES,W/BP,CROCUS, W/SLIP | 81.04 |
| CWPD1141J-105 | PAD,4X19,2HOLES,W/BP,GROTTO, W/SLIP | 81.05 |
| CWPD1141J-106 | PAD,4X19,2HOLES,W/BP,GRAPHITE, W/SL | 81.06 |
| CWPD1141J-107 | PAD,4X19,2HOLES,W/BP,RED, W/SLIP | 81.07 |
| CWPD1141J-108 | PAD,4X19,2HOLES,W/BP,CHN GRN, W/SLI | 81.08 |
| CWPD1141J-109 | PAD,4X19,2HOLES,W/BP,TURQSE,W/SLIP | 81.09 |
| CWPD1141J-110 | PAD,4X19,2HOLES,W/BP,RASP,W/SLIP | 81.1 |
| CWPD1141J-111 | PAD,4X19,2HOLES,W/BP,PLUM, W/SLIP | 81.11 |
| CWPD1141J-112 | PAD,4X19,2HOLES,W/BP,REGIMENT,W/SLI | 81.12 |
| CWPD1141J-113 | PAD,4X19,2HOLES,W/BP,SPC BLUE,W/SLI | 81.13 |
| CWPD1141J-115 | PAD,4X19,2HOLES,W/BP,BLK LTHR,W/SLI | 81.15 |
| CWPD1141J-116 | PAD,4X19,2HOLES,W/BP,NVBL LTH,W/SLI | 81.16 |
| CWPD1141J-117 | PAD,4X19,2HOLES,W/BP,PUTTY,W/SLIP | 81.17 |
| CWPD1141J-118 | PAD,4X19,2HOLES,W/BP,IMPRL BL,W/SLI | 81.18 |

| | | |
|---------------|-------------------------------------|-------|
| CWPD1141J-119 | PAD,4X19,2HOLES,W/BP,YEW GRN,W/SLIP | 81.19 |
| CWPD1141J-120 | PAD,4X19,2HOLES,W/BP,DSTY JD,W/SLIP | 81.2 |
| CWPD1141J-121 | PAD,4X19,2HOLES,W/BP,TER COT,W/SLIP | 81.21 |
| CWPD1141J-122 | PAD,4X19,2HOLES,W/BP,PAPRIKA,W/SLIP | 81.22 |
| CWPD1141J-123 | PAD,4X19,2HOLES,W/BP,ASH LTHR,W/SLI | 81.23 |
| CWPD1141J-124 | PAD,4X19,2HOLES,W/BP,CERULEAN LTHR, | 81.24 |
| CWPD1141J-125 | PAD,4X19,2HOLES,W/BP,CHARCOAL LTHR, | 81.25 |
| CWPD1141J-126 | PAD,4X19,2HOLES,W/BP,HUNTER LTHR,W/ | 81.26 |
| CWPD1141J-127 | PAD,4X19,2HOLES,W/BP,MOSS LTHR,W/SL | 81.27 |
| CWPD1141J-128 | PAD,4X19,2HOLES,W/BP,SPICE LTHR,W/S | 81.28 |
| CWPD1141J-129 | PAD,4X19,2HOLES,W/BP,TOMATO LTHR,W/ | 81.29 |
| CWPD1142J-101 | PAD,5X19,2HOLES,W/BP,BLACK,W/SLIP | 82.01 |
| CWPD1142J-102 | PAD,5X19,2HOLES,W/BP,RYL BL,W/SLIP | 82.02 |
| CWPD1142J-103 | PAD,5X19,2HOLES,W/BP,DVE GRY,W/SLIP | 82.03 |
| CWPD1142J-104 | PAD,5X19,2HOLES,W/BP,CROCUS,W/SLIP | 82.04 |
| CWPD1142J-105 | PAD,5X19,2HOLES,W/BP,GROTTO,W/SLIP | 82.05 |
| CWPD1142J-106 | PAD,5X19,2HOLES,W/BP,GRAPHITE,W/SLI | 82.06 |
| CWPD1142J-107 | PAD,5X19,2HOLES,W/BP,RED,W/SLIP | 82.07 |
| CWPD1142J-108 | PAD,5X19,2HOLES,W/BP,CHN GRN,W/SLIP | 82.08 |
| CWPD1142J-109 | PAD,5X19,2HOLES,W/BP,TURQSE,W/SLIP | 82.09 |
| CWPD1142J-110 | PAD,5X19,2HOLES,W/BP,RASP,W/SLIP | 82.1 |
| CWPD1142J-111 | PAD,5X19,2HOLES,W/BP,PLUM,W/SLIP | 82.11 |
| CWPD1142J-112 | PAD,5X19,2HOLES,W/BP,REGIMENT,W/SLI | 82.12 |
| CWPD1142J-113 | PAD,5X19,2HOLES,W/BP,SPC BLUE,W/SLI | 82.13 |
| CWPD1142J-115 | PAD,5X19,2HOLES,W/BP,BLK LTHR,W/SLI | 82.15 |
| CWPD1142J-116 | PAD,5X19,2HOLES,W/BP,NVBL LTH,W/SLI | 82.16 |
| CWPD1142J-117 | PAD,5X19,2HOLES,W/BP,PUTTY,W/SLIP | 82.17 |
| CWPD1142J-118 | PAD,5X19,2HOLES,W/BP,IMPRL BL,W/SLI | 82.18 |
| CWPD1142J-119 | PAD,5X19,2HOLES,W/BP,YEW GRN,W/SLIP | 82.19 |
| CWPD1142J-120 | PAD,5X19,2HOLES,W/BP,DSTY JD,W/SLIP | 82.2 |
| CWPD1142J-121 | PAD,5X19,2HOLES,W/BP,TER COT,W/SLIP | 82.21 |
| CWPD1142J-122 | PAD,5X19,2HOLES,W/BP,PAPRIKA,W/SLIP | 82.22 |
| CWPD1142J-123 | PAD,5X19,2HOLES,W/BP,ASH LTHR,W/SLI | 82.23 |
| CWPD1142J-124 | PAD,5X19,2HOLES,W/BP,CERULEAN LTHR, | 82.24 |
| CWPD1142J-125 | PAD,5X19,2HOLES,W/BP,CHARCOAL LTHR, | 82.25 |
| CWPD1142J-126 | PAD,5X19,2HOLES,W/BP,HUNTER LTHR,W/ | 82.26 |
| CWPD1142J-127 | PAD,5X19,2HOLES,W/BP,MOSS LTHR,W/SL | 82.27 |
| CWPD1142J-128 | PAD,5X19,2HOLES,W/BP,SPICE LTHR,W/S | 82.28 |
| CWPD1142J-129 | PAD,5X19,2HOLES,W/BP,TOMATO LTHR,W/ | 82.29 |
| CWPD1204J-101 | PAD,14-1/8X18X18.5,4HL,W/BP,BLACK,W | 83.01 |
| CWPD1204J-102 | PAD,14-1/8X18X18.5,4HL,W/BP,RYL BL, | 83.02 |
| CWPD1204J-103 | PAD,14-1/8X18X18.5,4HL,W/BP,DVE GRY | 83.03 |
| CWPD1204J-104 | PAD,14-1/8X18X18.5,4HL,W/BP,CROCUS, | 83.04 |
| CWPD1204J-105 | PAD,14-1/8X18X18.5,4HL,W/BP,GROTTO, | 83.05 |
| CWPD1204J-106 | PAD,14-1/8X18X18.5,4HL,W/BP,GRAPHIT | 83.06 |
| CWPD1204J-107 | PAD,14-1/8X18X18.5,4HL,W/BP,RED,W/S | 83.07 |
| CWPD1204J-108 | PAD,14-1/8X18X18.5,4HL,W/BP,CHN GRN | 83.08 |
| CWPD1204J-109 | PAD,14-1/8X18X18.5,4HL,W/BP,TURQSE, | 83.09 |
| CWPD1204J-110 | PAD,14-1/8X18X18.5,4HL,W/BP,RASP,W/ | 83.1 |
| CWPD1204J-111 | PAD,14-1/8X18X18.5,4HL,W/BP,PLUM,W/ | 83.11 |
| CWPD1204J-112 | PAD,14-1/8X18X18.5,4HL,W/BP,REGIMEN | 83.12 |

| | | |
|----------------|-------------------------------------|-------|
| CWPD1204J-113 | PAD,14-1/8X18X18.5,4HL,W/BP,SPC BLU | 83.13 |
| CWPD1204J-115 | PAD,14-1/8X18X18.5,4HL,W/BP,BLK LTH | 83.15 |
| CWPD1204J-116 | PAD,14-1/8X18X18.5,4HL,W/BP,NVBL LT | 83.16 |
| CWPD1204J-117 | PAD,14-1/8X18X18.5,4HL,W/BP,PUTTY,W | 83.17 |
| CWPD1204J-118 | PAD,14-1/8X18X18.5,4HL,W/BP,IMPL BL | 83.18 |
| CWPD1204J-119 | PAD,14-1/8X18X18.5,4HL,W/BP,YEW GRN | 83.19 |
| CWPD1204J-120 | PAD,14-1/8X18X18.5,4HL,W/BP,DSTY JD | 83.2 |
| CWPD1204J-121 | PAD,14-1/8X18X18.5,4HL,W/BP,TER COT | 83.21 |
| CWPD1204J-122 | PAD,14-1/8X18X18.5,4HL,W/BP,PAPRIKA | 83.22 |
| CWPD1204J-123 | PAD,14-1/8X18X18.5,4HL,W/BP,ASH LTH | 83.23 |
| CWPD1204J-124 | PAD,14.13X18X18.5,4H,W/BP,CERLN LTH | 83.24 |
| CWPD1204J-125 | PAD,14.13X18X18.5,4H,W/BP,CHRCL LTH | 83.25 |
| CWPD1204J-126 | PAD,14.13X18X18.5,4L,W/BP,HUNTR LTH | 83.26 |
| CWPD1204J-127 | PAD,14-1/8X18X18.5,4H,W/BP,MOSS LTH | 83.27 |
| CWPD1204J-128 | PAD,14-1/8X18X18.5,4H,W/BP,SPCE LTH | 83.28 |
| CWPD1204J-129 | PAD,14-1/8X18X18.5,4H,W/BP,TOMT LTH | 83.29 |
| CWAC220-901 | HANDLE END CAP W/SET SCREWS, DIA 3/ | 84 |
| CWGR2505-000 | GRIP,RUBBER,3/4" DIA, 5" | 85 |
| CW10043-132 | BUSHING, BRONZE, 1/2" ID X 3/4" OD | 86 |
| CW31756-101 | LABEL, PRECOR USA ICARIAN LINE | 87 |
| CWSA1120-731 | WELDMENT, SPRING STOP, BLK ZN | 90 |
| CWCP1046-101 | CUT PIECE, CREPE, ROUND, .25 THICK, | 91 |
| CWAC1135-731 | SPRING, COMPRESSION, 1 9/32 OD X 1 | 92 |
| CWAANN100-003 | RETAINING RING, EXTERNAL 1" DIA | 93 |
| CWWALYN031-008 | WASHER, SPLIT, 5/16 ID, BL | 93 |
| CW31784-731 | STOP PLUG, BLK ZN | 94 |
| CWWBKN038-007 | WASHER, FLAT, TYPE A, SAE, 3/8 ID | 95 |
| CWWALYN031-008 | WASHER, SPLIT, 5/16 ID, BL | 96 |
| CWWALYN038-009 | WASHER, SPLIT, 3/8 ID, BLK XYLAN | 97 |
| CWWALYN050-013 | WASHER, SPLIT, 1/2 ID, BLK XYLAN | 98 |
| CW31077-711 | ASSY, BACKPAD ADJUSTMENT, 9 HOLE, 3 | 99 |
| CW30165-751 | ASSY, POP PIN, 0.450 DIA HANDLE, B | 100 |
| CW10510-721 | ASSY, PLATE, WEIGHT, 10 LBS, WRKL B | 201 |
| CW10520-721 | ASSY, PLATE, WEIGHT, 20 LBS, WRKL B | 202 |
| CWAC1133-101 | BUSHING, WEIGHT PLATE, LDPE PLASTIC | 203 |
| CW30173-751 | ASSY, 6.00 IN WEIGHT STACK PIN AND | 228 |
| CWLDNN038-200 | PIN, ROLL, DIA 3/8 X 2 | 250 |
| CW30184-901 | ASSY,BARREL, TOP PLATE,ALUMINUM | 251 |
| CW10550-721 | PLATE, WEIGHT, MED TOP (MTP-S), 10 | 283 |
| CW10550-722 | PLATE, WEIGHT, MED TOP (MTP-S), 10 | 283 |
| CW30131-711 | SELECTOR STEM, 18 PLATE,0 .875 DIA, | 306 |
| CW30011-101 | LABEL,WARNING WEIGHT STACK | 311 |
| CW12401-106 | LABEL, WEIGHT PLATE, 20 LBS/ 8 KG | 319 |
| CW12401-110 | LABEL, WEIGHT PLATE, 30 LBS/ 13.6 K | 323 |
| CW12401-114 | LABEL, WEIGHT PLATE, 40 LBS/ 18.2 K | 326 |
| CW12401-114 | LABEL, WEIGHT PLATE, 40 LBS/ 18.2 K | 327 |
| CW12401-118 | LABEL, WEIGHT PLATE, 50 LBS/ 22.7 K | 330 |
| CW12401-118 | LABEL, WEIGHT PLATE, 50 LBS/ 22.7 K | 331 |
| CW12401-120 | LABEL, WEIGHT PLATE, 60 LBS/ 27.3 K | 332 |
| CW12401-120 | LABEL, WEIGHT PLATE, 60 LBS/ 27.3 K | 333 |
| CW12401-122 | LABEL, WEIGHT PLATE, 70 LBS/ 31.8 K | 335 |

| | | |
|----------------|-------------------------------------|--------|
| CW12401-124 | LABEL, WEIGHT PLATE, 80 LBS/ 36.4 K | 337 |
| CW12401-126 | LABEL, WEIGHT PLATE, 90 LBS/ 40.9 K | 339 |
| CW12401-128 | LABEL, WEIGHT PLATE, 100 LBS/ 45.5 | 341 |
| CW12401-130 | LABEL, WEIGHT PLATE, 120 LBS/ 54.6 | 343 |
| CW12401-132 | LABEL, WEIGHT PLATE, 140 LBS/ 63.6 | 345 |
| CW12401-134 | LABEL, WEIGHT PLATE, 160 LBS/ 72.7 | 347 |
| CW12401-136 | LABEL, WEIGHT PLATE, 180 LBS/ 81.8 | 349 |
| CW12401-138 | LABEL, WEIGHT PLATE, 200 LBS/ 90.9 | 351 |
| CW12401-140 | LABEL, WEIGHT PLATE, 220 LBS/ 100 K | 353 |
| CW12401-142 | LABEL, WEIGHT PLATE, 240 LBS/ 109.1 | 355 |
| CW12401-144 | LABEL, WEIGHT PLATE, 260 LBS/ 118.2 | 357 |
| CW12401-145 | LABEL, WEIGHT PLATE, 280 LBS/ 127.3 | 358 |
| CW12401-146 | LABEL, WEIGHT PLATE, 300 LBS/ 136.4 | 359 |
| CW12537-109 | NUT,INSERT,THIN-NUT,LARGE FLANGE | 400 |
| CW30126-101 | LABEL,VINYL, PRECOR, 3.25 X 18.0 | 401 |
| CWPF3143-211 | SHROUD,SHEET,STEEL,3/32 THICK,4 BEN | 402.01 |
| CWPF3143-221 | SHROUD,SHEET,STEEL,3/32 THICK,4 BEN | 402.02 |
| CWPF3143-231 | SHROUD,SHEET,STEEL,3/32 THICK,4 BEN | 402.03 |
| CWPF3143-241 | SHROUD,SHEET,STEEL,3/32 THICK,4 BEN | 402.04 |
| CWPF3143-251 | SHROUD,SHEET,STEEL,3/32 THICK,4 BEN | 402.05 |
| CWPF3143-261 | SHROUD,SHEET,STEEL,3/32 THICK,4 BEN | 402.06 |
| CWPF3143-271 | SHROUD,SHEET,STEEL,3/32 THICK,4 BEN | 402.07 |
| CWPF3143-281 | SHROUD,SHEET,STEEL,3/32 THICK,4 BEN | 402.08 |
| CWPF3143-291 | SHROUD,SHEET,STEEL,3/32 THICK,4 BEN | 402.09 |
| CWPF3143-311 | SHROUD,SHEET,STEEL,3/32 THICK,4 BEN | 402.11 |
| CWPF3143-321 | SHROUD,SHEET,STEEL,3/32 THICK,4 BEN | 402.12 |
| CWPF3143-331 | SHROUD,SHEET,STEEL,3/32 THICK,4 BEN | 402.13 |
| CWPF3143-341 | SHROUD,SHEET,STEEL,3/32 THICK,4 BEN | 402.14 |
| CWPF3143-351 | SHROUD,SHEET,STEEL,3/32 THICK,4 BEN | 402.15 |
| CWPF3143-361 | SHROUD,SHEET,STEEL,3/32 THICK,4 BEN | 402.16 |
| CWPF3143-711 | SHROUD,SHEET,STEEL,3/32 THICK,4 BEN | 402.17 |
| CWPF3144-721 | SHROUD BRKT,PLATE,STEEL,1/8 THICK,1 | 403 |
| CWPF3145-721 | SHROUD BRKT,PLATE,STEEL,1/8 THICK,2 | 404 |
| CWTAYN031-100 | SCREW, BUTTON HEAD, BLK XYLAN, 5/1 | 405 |
| CWWALYN031-008 | WASHER, SPLIT, 5/16 ID, BL | 406 |
| CWWBKN031-007 | WASHER, FLAT, TYPE A, SAE, 5/16 ID | 407 |
| CWAC1177-101 | FLOOR PROTECTOR, RUBBER, 4.563 X 4. | 501 |
| CWAC1178-101 | FLOOR PROTECTOR, RUBBER, 2.563 X 6. | 502 |
| CWAC1179-101 | FLOOR PROTECTOR, RUBBER, 4.813 X 2. | 503 |